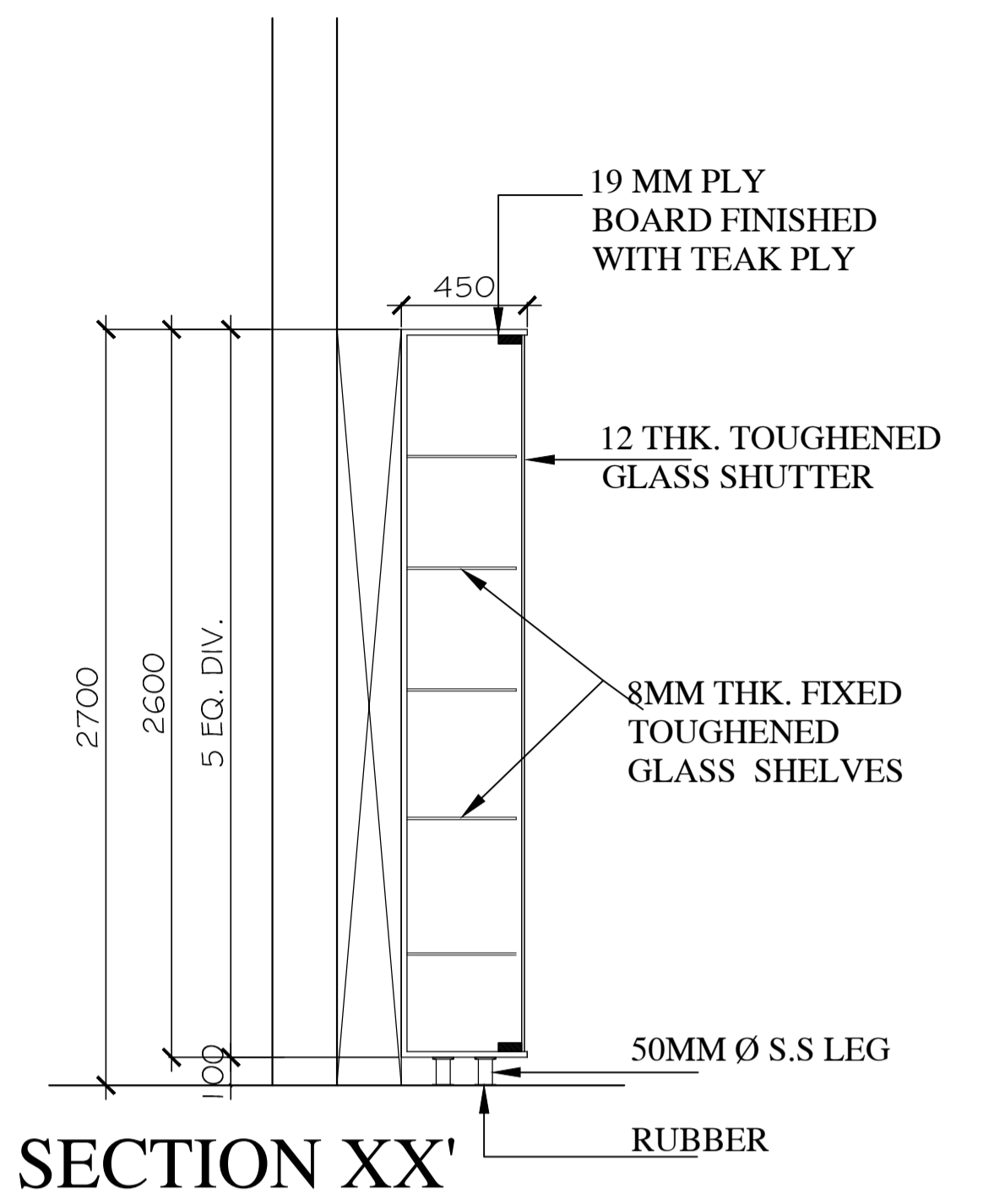
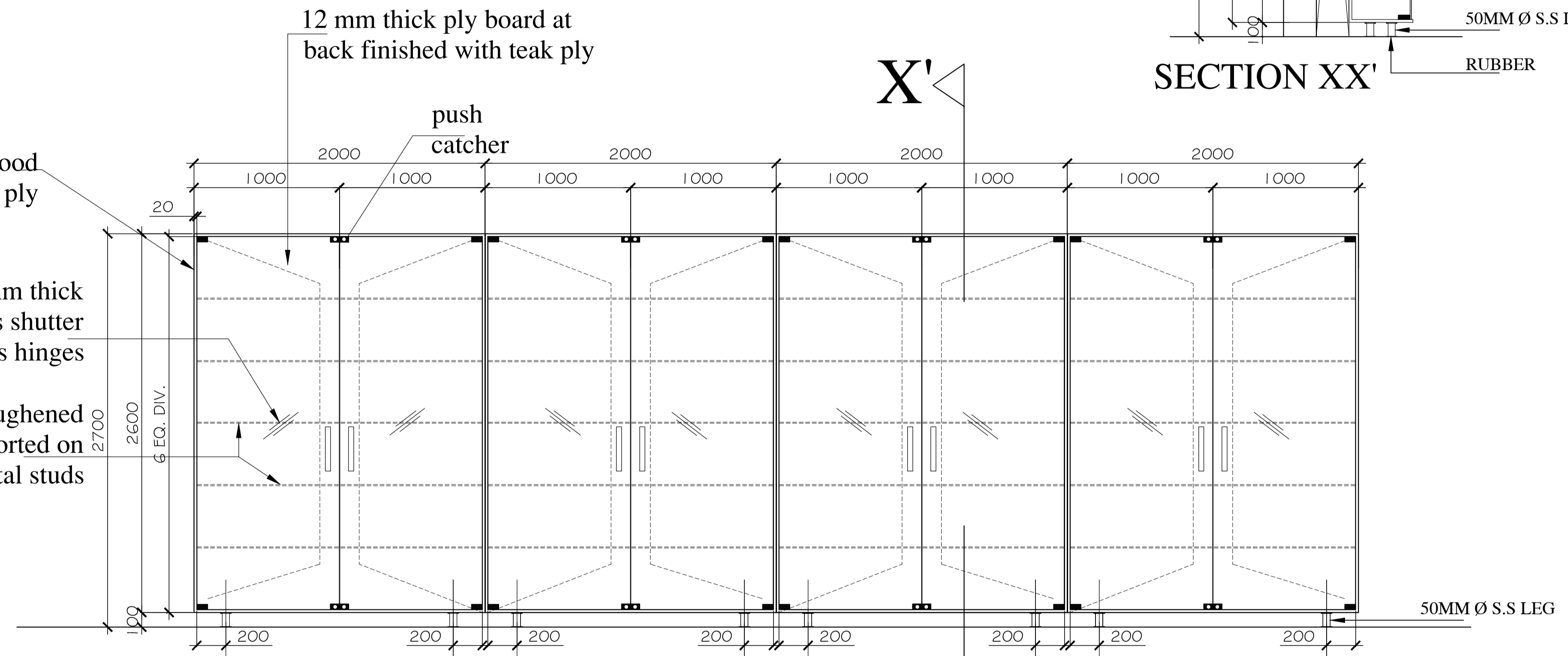


LAYOUT PLAN  
TRIPLE HEIGHT

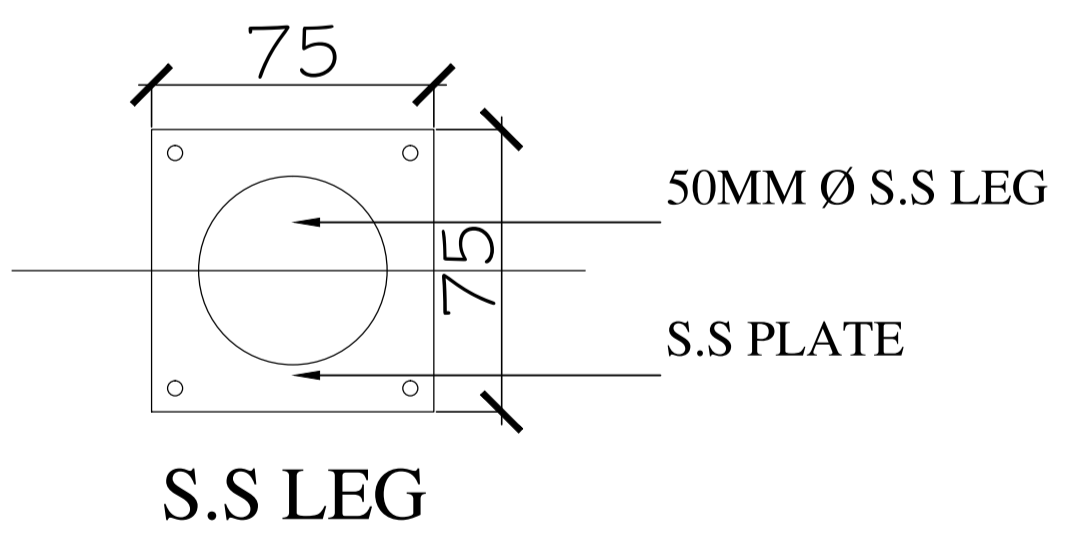


SECTION XX'

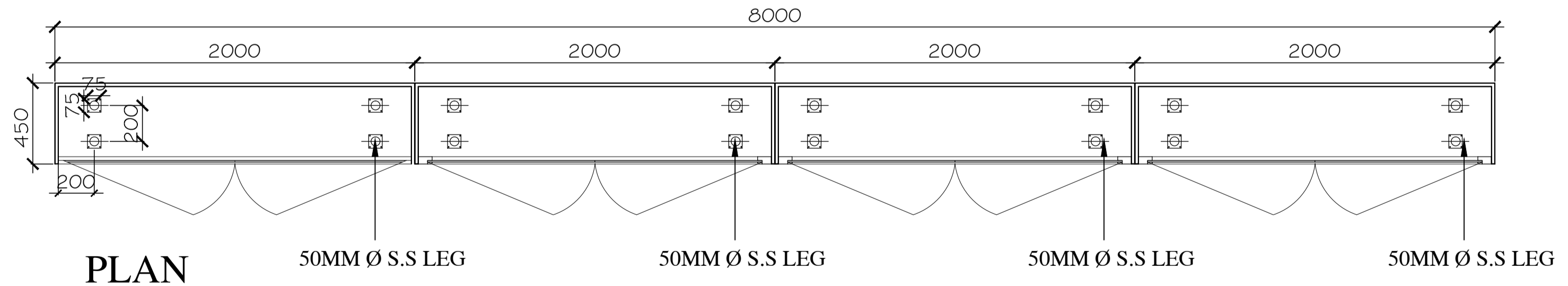
- 12 mm thick ply board at back finished with teak ply
- 19 mm thick plywood ply finished with teak ply
- 12 mm thick toughened glass shutter fixed with ss hinges
- 8 mm thick toughened glass shelves supported on wooden gola or metal studs



ELEVATION AA



S.S LEG



PLAN

PROJECT :  
RAJIV GANDHI NATIONAL UNIVERSITY OF LAW  
PATIALA, PUNJAB

ARCHITECT'S SIGN	OWNER'S SIGN	JOB NO.	KOTHARI ASSOCIATES PVT. LTD. ARCHITECTS, ENGINEERS & TOWN PLANNERS G-65, CONNAUGHT CIRCUS, NEW DELHI-110001
		DATE	
		DRWN	
		DSND	
		CHKD	
		SCALE	DETAIL -TRIPLE HEIGHT AREA
			ADMIN BLOCK
			D R G. N O.
			REV. NO.
			INT- 018
			00