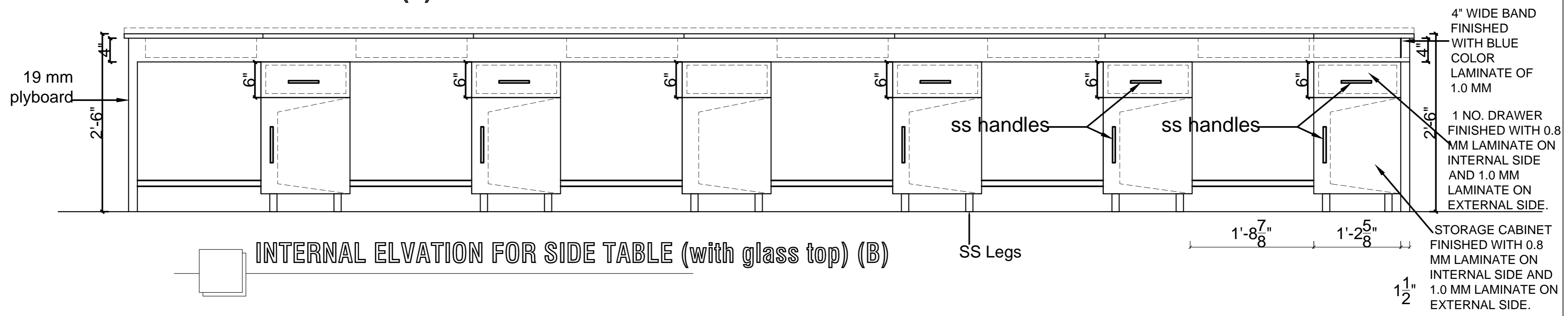


PLAN FOR SIDE TABLE (with glass top)
18'-0" X 2'-0" (B)



INTERNAL ELVATION FOR SIDE TABLE (with glass top) (B)

PROJECT : RAJIV GANDHI NATIONAL UNIVERSITY OF LAW PATIALA, PUNJAB	ARCHITECT'S SIGN	OWNER'S SIGN	JOB NO.	KOTHARI ASSOCIATES PVT. LTD. ARCHITECTS, ENGINEERS & TOWN PLANNERS G-65, CONNAUGHT CIRCUS, NEW DELHI-110001	DETAIL -FORENSIC LAB	D.R.G. N.O. REV. NO. INT- 029 00
			DATE			
			DRWN			
			DSND			
			CHKD			
		SCALE	ACADEMIC BLOCK			